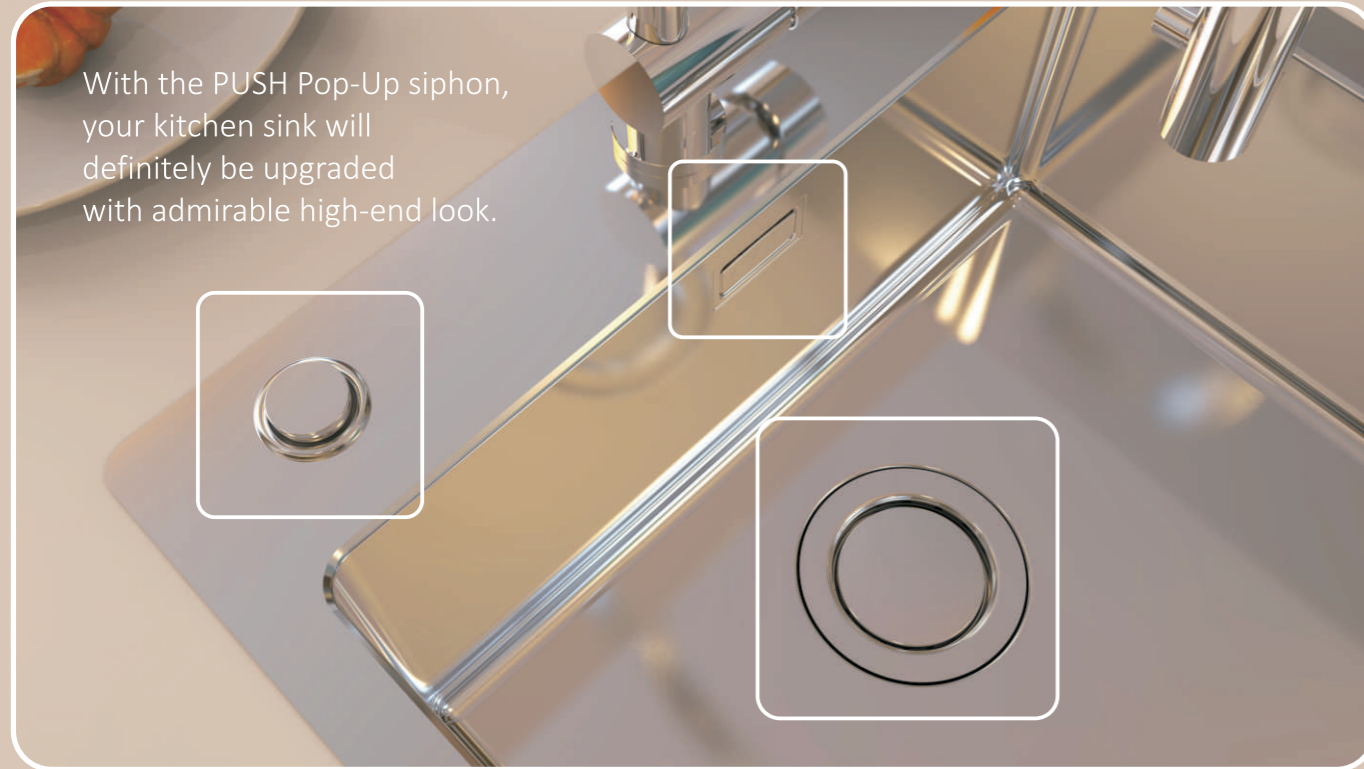


HIGH-END LOOK

PUSH Pop-Up button and drainer plate are not only functional but with its clean lines and smooth surface they give your kitchen sink also quite a high-end and prestigious look. To make the look of your kitchen sinks perfect we added an aesthetically hidden overflow.



PUSH Pop-Up siphon available for

kitchen sink with one bowl and overflow



kitchen sink with two bowls and two overflows



PUSH Pop-Up siphon



Waste outlet management
with just a push of a button

50
1968-2018

ALVEUS
experience
passion
vision
tradition

ALVEUS

UNIVERSAL

The siphon can be used (installed) on various kitchen sink models.

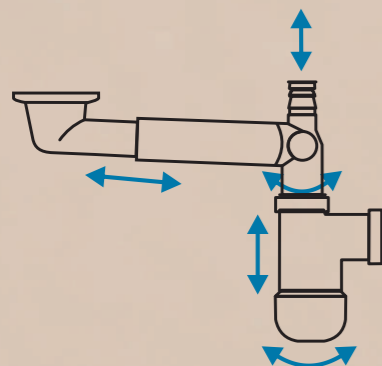
AUTOMATIC

The drainer can be managed with just a push of a button.



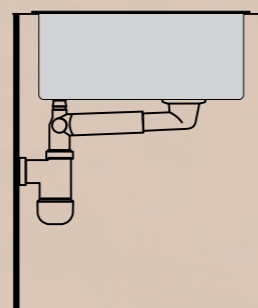
PRE-ASSEMBLED & ADJUSTABLE

You will not need to waste time and patience for assembling many small parts. The PUSH Pop-Up siphon has already been put together for you. All you need to do is to adjust the siphon to fit perfectly to your kitchen sinks .



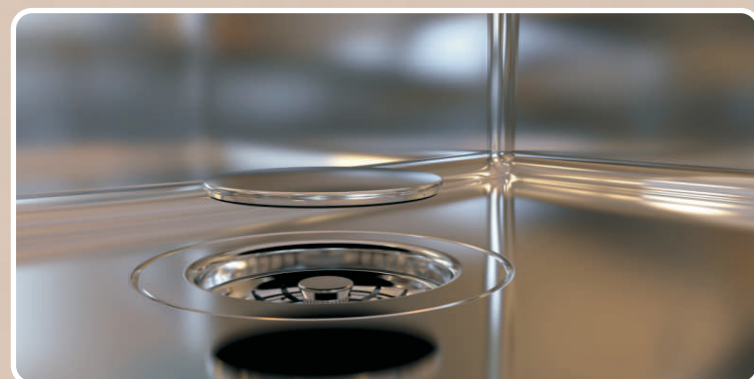
SPACE SAVING

The PUSH Pop-Up siphon is designed and assembled thoughtfully to take as little space under the kitchen sink in your cabinet, leaving enough space for an extra drawer, waste bins... .



MAGNETIC DRAINER COVER

The drainer plate is elegantly attached on the drainer grid with a magnet, the manipulation is therefor very easy.



EASY MANAGEMENT

Managing the PUSH Pop-Up siphon is very easy ... simply by pushing a button. When the button is in the level of the kitchen sink, the drainer is open to the flow of the water and other liquids. At the push of the button, it rises above the surface of the kitchen sink, indicating that the drainer of your kitchen sink is closed and you can fill it up with water.

When using your kitchen sink for more demanding kitchen tasks with a bit more food waste or when you just want to clean the drainer plate, you simply remove it from the grid and lay it back when desired.

